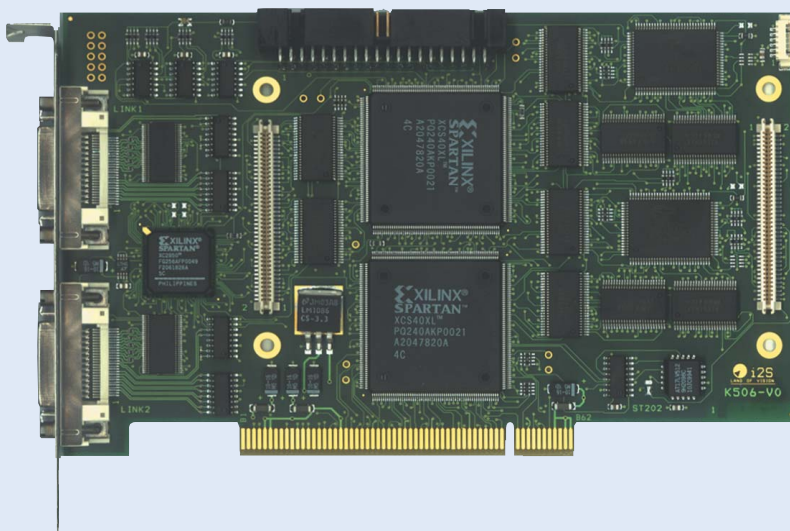


HORIZON LINK

PCI board for Camera Link™ line scan cameras



HORIZON LINK board is an i2S multi channel PCI board, designed to easily interface Camera Link™ Line scan cameras.

HORIZON LINK board completes the HORIZON board range dedicated to the acquisition of line scan, monochrome or color images.

Applications :

- Multi-tap line scan cameras acquisition
- Continuous web inspection
- Scrolling, rotating objects analysis
- High speed gauging, positioning
- High resolution image capture

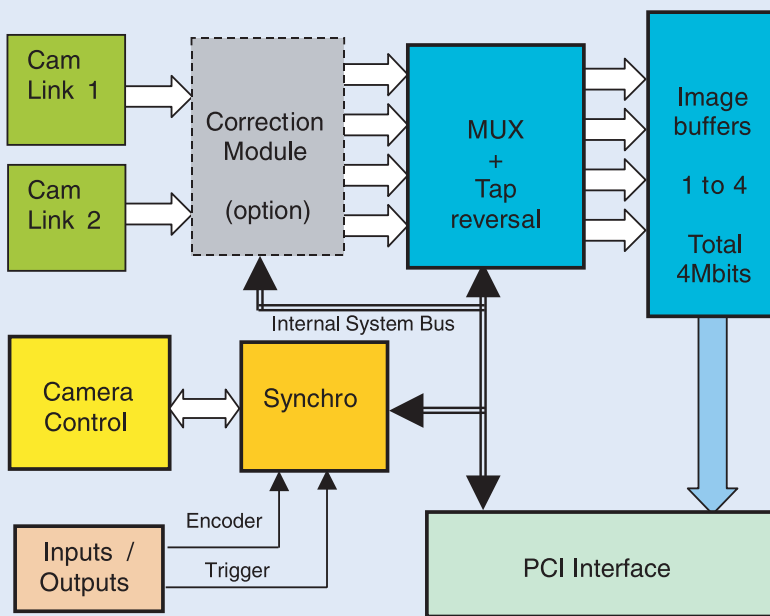
FEATURES :

- Plug & play 32 bits PCI board
- Optimized PCI transfer from 1 up to 4 DMA independent channels
- Camera Link™ interface for line scan camera, monochrome, color, TDI, multi-tap
- Simultaneous grab for 2 monochrome cameras 8 to 16 bits
- Acquisition up to 40 M pixels/s per tap
- Real time data reorganization for high speed multi-tap digital cameras
- Add-on real time flat field correction module
- Full camera control (exposure time, line frequency)
- Process synchronization (encoder, trigger)
- 8 TTL input/output
- Windows NT4.0 and Windows 2000 Drivers (included)
- C/C++ Library (included)
- Interactive software CAP (included)

i2S - BP214 - 19, rue Jean Perrin - 33608 PESSAC - FRANCE

Tel. +(33)(0) 557 26 69 02 - Fax +(33)(0) 557 26 68 99 - www.i2s-linescan.com - info@i2s-linescan.com

BLOCK DIAGRAM



Software :

Drivers : Windows NT4.0, Windows 2000
C/C++ library of acquisition procedure and functional block settings

- Flat field correction emulated by software if the hardware module is not used.
- Syntax compatible software library with the HORIZON boards
- Interface with MIL

CAP : Interactive configuration of functional capture blocks and image display software

PARALLELIX : Line scan image in real time processing library

- Continuous labelling
- Flaw classification
- Morphological and convolution
- continuous filtering
- MMX et SSE optimized

Dedicated to line scan systems, HORIZON LINK answers to the industrial vision application requirements :

- Real time data re-organizing issued from line scan cameras
- DMA acquisition and transfer from 1 to 4 channels
- Upgrade possibility with extension modules
- Synchronization with the process
- Industrial Input/Output management

Accessories :

- **iSC511** I/O TTL bracket
- **iSM503** Real time flat field correction module
- **iSC700** Camera Link™ cable

Reference to be specified when ordering :

HORIZON-LINK

